



## **STIEBEL ELTRON**

### HDB-E Trend

- › Electric instantaneous water heater designed to supply multiple draw-off points
- › Maximum temperature of 50 °C, compliant with AS3498 standards
- › Accurate temperature delivery due to electronic closed-loop control.
- › The quick-action bare wire heating system is suitable for hard and soft water.



# HDB-E Trend AU

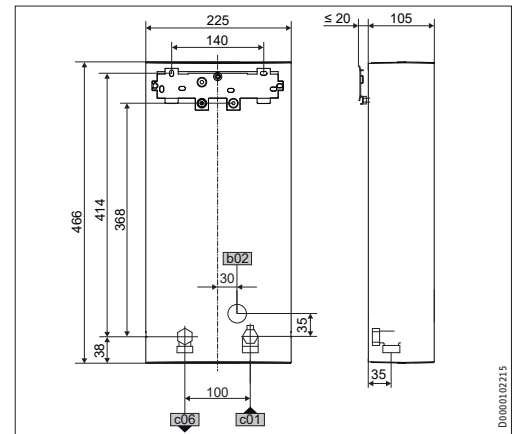
**INSTANT HOT WATER AT A MAXIMUM OF 50 DEGREES**

Instantaneous water heater for supplying several draw-off points. Maximum temperature of 50 °C in compliance of AS3498 and is maintained up to the output limit via the electronic controller. The bare wire heating system is suitable for hard and soft water areas.

Model	Trend		
	HDB-E 13 Trend AU	HDB-E 18 Trend AU	HDB-E 27 Trend AU
	<b>204211</b>	<b>204212</b>	<b>204213</b>
Rated output (415 V)	kW 14.5	19.4	28
Rated current (415 V)	A 20	27	38.9
Fuse protection	A 20	32	40
Electrical installation	As per AS/NZS3000		
Installation requirements	AS/NZS3500.4.2 & local requirements		
Switch on flow rate	L/min	>2.5	
Max. temperature	°C	50	
Water connection		G 1/2 A	
Max. permissible pressure	MPa	1.0	
Max. permissible inlet temperature	°C	50	
IP rating		IP 25	
Height	mm	466	
Width	mm	225	
Depth	mm	105	
Weight	kg	2.9	
Approvals	WaterMark Lic No. WMKA00301. AS3498		



Temperature Rise (415 V)	HDB-E 13 Trend AU	HDB-E 18 Trend AU	HDB-E 27 Trend AU
6 L/min	+34 °C	+46 °C	-
8 L/min	+26 °C	+34 °C	+50 °C
10 L/min	+20 °C	+27 °C	+40 °C
12 L/min	+17 °C	+23 °C	+33 °C
14 L/min	+14 °C	+19 °C	+28 °C



**Dimensions and Connections**  
In-wall or bottom entry connection available.

### Calculating Output Water Temperature

Add the above temperature rise values to your incoming cold water temperature to calculate output at a desired flow rate.

### Seasonal Average Cold Water Temperatures

Melbourne: 15 °C  
Sydney/Brisbane/Perth/Adelaide: 18 °C  
Canberra/Hobart: 14 °C  
Townsville/Darwin: 25 °C

The HDB-E electric instantaneous 3 phase water heater delivers hot water not exceeding 50 °C in accordance with AS3498. Refer to AS/NZS3500.4, local requirements and installation instructions to determine if additional delivery temperature control is required.

STIEBEL ELTRON is committed to our policy of continual improvement, some features may have subsequently been changed or even removed.

Our advisors will be happy to consult with you regarding the currently applicable equipment features. The images used in this data sheet are for reference only.