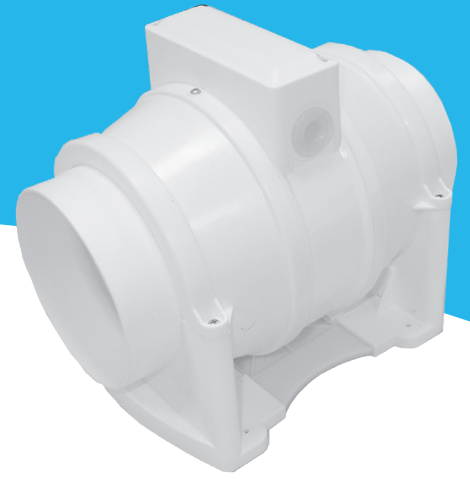


In-line Mixed Flow Fan

A range of in-line mixed flow fans with a compact profile which offers excellent pressure development characteristics, designed specifically for use with rigid or flexible ductwork for a wide variety of residential and commercial applications.



Quick Facts

- ✓ 4 standard sizes from 100mm to 200mm.
- ✓ Air volume flow rates up to 0.264 m³/s.
- ✓ Static pressures up to 236 Pa.
- ✓ Suitable for operating temperatures up to +60°C.
- ✓ Available with adjustable timer (3-15 minutes).

Casing

The all plastic casing provides a long lasting, robust and non-corrosive construction.

The units have been constructed from shockproof, heat resistant white plastic, with both motor and impeller mounted within the length of the unit casing.

All units are IPX4 protection and are splash proof as required by current regulations.

Impeller

Mixed flow impellers shall be provided with fixed blade angles to meet the required duty.

The impeller construction shall comprise of white plastic. Motors and impellers are balanced to ISO 14694 Grade G6.3.

Motors

Motors are to be double insulated with in-built thermal overload protection, with sealed for life bearings, suitable for operating temperatures up to +60°C.

Motors are to be wired to a terminal box mounted on the outside of the unit casing.

Quality Management

Units are to be designed and manufactured with procedures as defined in BS EN ISO 9001:2008.

All SMT units are to be tested to ISO 5801:2007 (airside performance) and BS 848 Part 2:1985 (sound performance).

Typical Applications

- ✓ Shower Rooms
- ✓ Bathrooms
- ✓ Kitchens
- ✓ Utility Rooms
- ✓ Residential and Commercial

idealair group™

Electrical & Sound Data

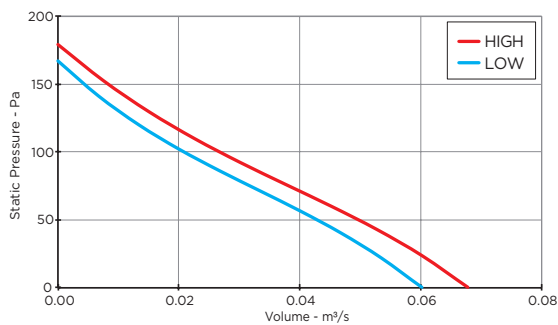
Model	Speed r/min	Electrical Data		dBA @ 3m	
		FLC Amps	Input kW	Inlet	Outlet
IMF100	HIGH	2308	0.15	0.034	Inlet: 45 Outlet: 45
	LOW	2151	0.15	0.034	Inlet: 44 Outlet: 43
IMF125	HIGH	2308	0.16	0.036	Inlet: 44 Outlet: 45
	LOW	2151	0.15	0.035	Inlet: 43 Outlet: 43
IMF150	HIGH	2493	0.30	0.073	Inlet: 55 Outlet: 56
	LOW	2349	0.26	0.061	Inlet: 50 Outlet: 51
IMF200	HIGH	2480	0.56	0.125	Inlet: 53 Outlet: 53
	LOW	2266	0.53	0.113	Inlet: 51 Outlet: 50

Electrical supply 240V / 1Ph / 50Hz.

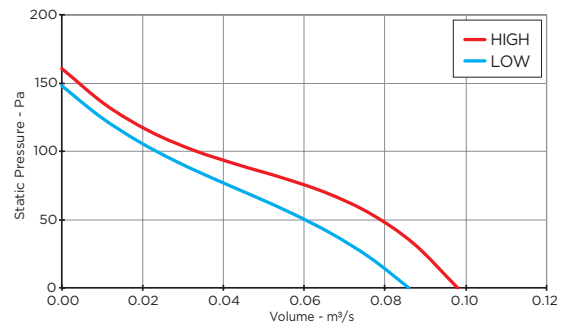
The overall A-weighted sound pressure level is at a distance of 3m with spherical free-field propagation. It is expressed in dB re-20µPa and is presented for comparative purposes only..

Performance Data

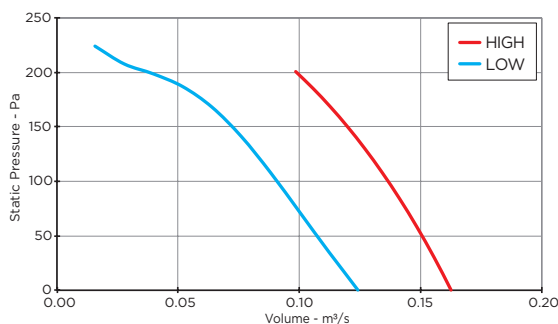
IMF100



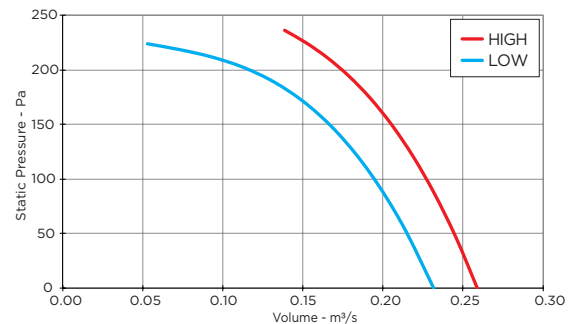
IMF125



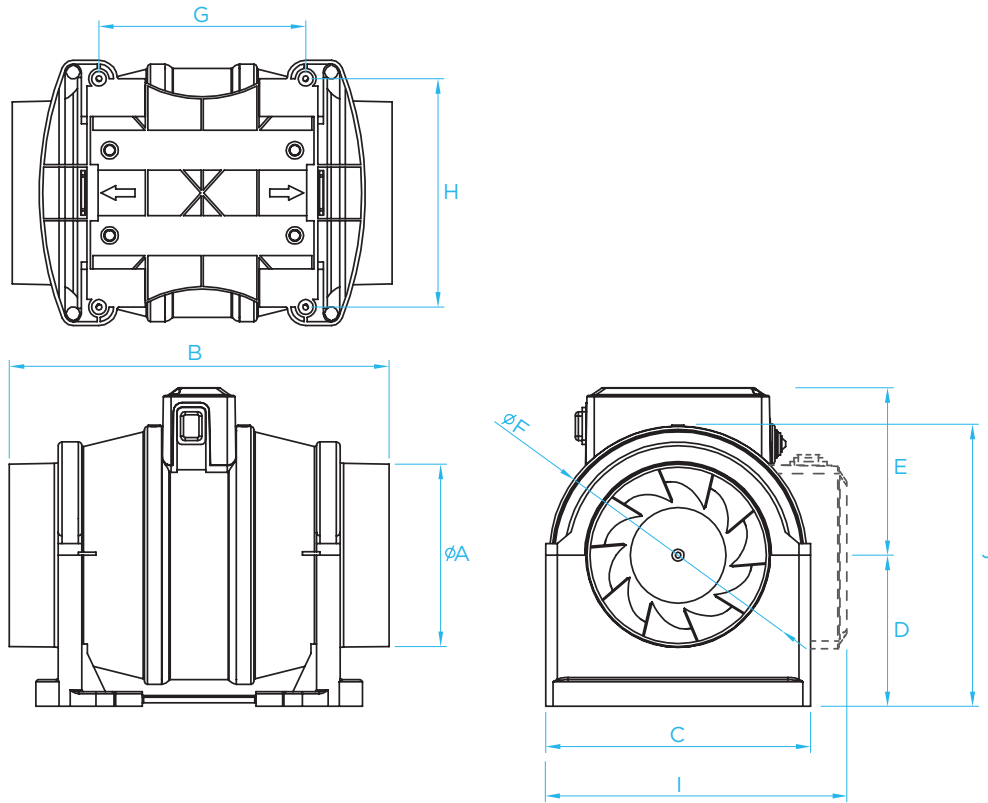
IMF150



IMF200



Dimensional Data



Size	ØA	B	C	D	E	ØF	G	H	I*	J*
100	97	296	179	104	113	174	140	154	202	190
125	124	256	179	102	113	174	140	154	202	190
150	147	298	194	109	127	195	182	170	223	211
200	198	310	254	129	146	228	141	230	272	243

All dimensions are expressed in mm.
Fan unit rotated 90° in mounting plate.

idealair group™

53, Tennant Street
Fyshwick
ACT, 2609
Australia

info@idealairgroup.com.au
idealairgroup.com.au